



## Time setting

The professional LEDICA® clocks can display the same time information, synchronized by a master clock or a time server. On standalone and pulse version, the time setting is manual. Display date and time alternately.


## Internal time base

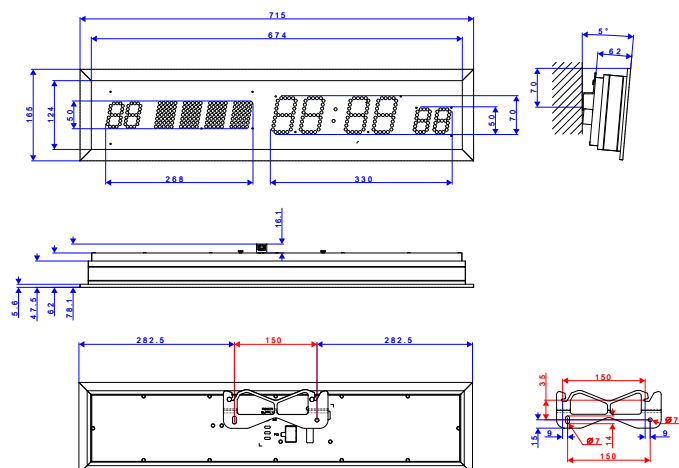
The LEDICA® clock has its own temperature compensated TCXO time base which allows an accuracy about **0.1 sec / day** between 0° to 40°C in case of synchronization loss.

## Security

Backup of time information in case of mains absence, by lithium battery: 10 years.

## Specifications

<b>Power supply</b>	230VAC 50/60Hz - 115VAC 50/60Hz Low voltage 12, 24 or 48 VDC NTP Version: PoE (Power over Ethernet)
<b>Certifications</b>	CE, EN 62368, EN 55032, EN 55035, ROHS
<b>Maximum consumption</b>	17,62 VA
<b>IP</b>	30
<b>MTBF</b>	42 267 h.
<b>MTTR</b>	Display: 5 min - CPU: 5 min Power supply: 5 min
<b>Weight</b>	2.4 kg
<b>Dimensions</b>	715x165x62 mm (LxHxD)
<b>Digit height</b>	Hour/minute: 70 mm Date: 50 mm (Alphanumeric display for day and month)
<b>Maximal distance of legibility</b>	35 meters
<b>Operating temperature</b>	-20° to 50°C
<b>Electrical equipment classification</b>	 Classe 2



## LEDICA® 7.M.S Indoor / Single face

*Professional LED clock with tri-color display, robust and stylish combining the best of the technology for an easy installation and operation.*

## Key features

- Pre-programmed calendar available in 11 languages
- Perfectly silent, direct and accurate reading of time
- SMD bi-colour LED technology allows to change the display colour in red, green or yellow (optional white or blue)
- The patented technology of the light guide provides a perfect regularity of the brightness and viewing angle at 160°
- The front face of the LEDICA® is coated with an antiglare and anti-scratch film giving an extraordinary 60000:1 level of contrast
- A protection against over-voltage and industrial interference via EMC filter
- An easy "plug and play" installation
- An anodized aluminium case wall mount or flush mount
- Its participation in the sustainable development, life span over 20 years
- 2 years warranty
- Up to 10 brightness levels for optimal viewing
- Remote and batch configuration via the optional "remote configuration" software
- Selection of colours (independently between wave and numbers) and brightness
- Behaviour of central dots (fixed, blinking...)

## NTP Version

### Advanced version (option K)

- Synchronisation of up to 4 NTPv4 servers and setting of advanced NTP options (poll rate / burst / preference order)
- Time zone selection and automatic summer/winter time change
- Supervision by SNMP v1, V2c, v3, SYSLOG, Consultation of event logs
- Configurations accessible via http and/or https
- Possibility of changing the display colour according to events (e.g. a loss of synchronisation changes the display colour to red)
- IPv4 / IPv6 protocols
- 12h or 24h mode
- Stopwatch/timer: advanced options fully configurable and programmable (start time, end time, colour change...), control and configuration via web page, GTCHRONO or SNMP
- Sensor\*: Option to manage up to 3 different SNMP sensors (Temperature, Hygrometry, ...)

\*Within the limits of the display

### Standard Version (option N or W)

- Synchronisation of up to 3 NTP servers
- Time zone selection and automatic summer/winter time change
- Supervision by SNMP v1, v2.c
- Configurations accessible via http and/or https
- IPv4 / IPv6 protocols
- Stopwatch/timer: simple option (triggering of a count sequence or countdown by button via web page or SNMP)
- Sensor: option to manage an SNMP Temperature or Humidity sensor

## Synchronisation Input

- TCXO Quartz Standalone
- DCF77 (EUROPE) with antenna or DCF24V with pair cable
- GPS
- Reverse parallel minute receiver 24V or 1/2 reverse minute series
- AFNOR NFS 87500 or IRIG B (to specify at purchase order)
- ASCII RS232, ASCII RS422/485
- Standard NTP (Option N) or advanced NTP (Option K) Ethernet 10/100BaseT
- Standard NTP Wi-Fi (IEEE 802.11 a/b/g/n standards 2.4 Ghz)
- SMPTE

**LEDICA® 7.M.S**  
**Indoor / Single face**

ITEM CODE

N304 /

	VERSION	↑	↑	↑	↑	↑	↑
Standalone: radio-synchronisable quartz time base 3.6864 MHz Holdover +/- 0.1 sec/24 h (between 0 and 40°C)	<input type="checkbox"/>	2					
DCF Radiosynchronisation. DCF Antenna + 4m cable	<input type="checkbox"/>	D					
<sup>(1)</sup> DCF 24Vdc Synchronisation ( <i>Synchro in telecom pair cable</i> )	<input type="checkbox"/>	P					
GPS Radiosynchronisation. GPS Antenna + 10m cable	<input type="checkbox"/>	G					
6mA/24V reversed parallel minute pulses receiver clock	<input type="checkbox"/>	3					
Serial reversed 1/2 minute pulses receiver clock Consumption 1.25V. 60 to 120mA. 39 ohms shunt	<input checked="" type="checkbox"/>	5					
<sup>(2)</sup> AFNOR NFS 87500 Receiver	<input type="checkbox"/>	8					
SMPTE-EBU Receiver	<input checked="" type="checkbox"/>	7					
ASCII RS 232 Receiver	<input type="checkbox"/>	B					
ASCII 422/485 Receiver	<input type="checkbox"/>	Q					
ADVANCED NTP Synchronisation (Ethernet RJ45 10/100)	<input checked="" type="checkbox"/>	K					
STANDARD NTP Synchronisation (Ethernet RJ45 10/100)	<input type="checkbox"/>	N					
STANDARD NTP Synchronisation (Wi-Fi IEEE 802.11 a/b/g/n standard 2.4 Ghz)	<input checked="" type="checkbox"/>	W					

<sup>(1)</sup> Always combine this version with 230VAC 50/60Hz power supply only  
<sup>(2)</sup> If IRIG.B. version, please specify as a note on your order

	PROGRAMMABLE LED						
Selectable colour, red, yellow, green	<input type="checkbox"/>	1					
Selectable colour white or blue	<input type="checkbox"/>	5					

	MOUNTING						
Standard: Wall mounting with bracket	<input type="checkbox"/>	1					
Flush mount	<input type="checkbox"/>	3					
Please refer to the brackets technical sheet	<input type="checkbox"/>	P					

	CASE COLOR						
Anodized grey aluminium	<input checked="" type="checkbox"/>	7					
Painted black RAL9005 Aluminium	<input type="checkbox"/>	0					
Specific	<input checked="" type="checkbox"/>	X					

	POWER SUPPLY						
Standard: 230VAC 50/60Hz	<input type="checkbox"/>	0					
115VAC 50/60Hz ( <i>Excluding version P</i> )	<input type="checkbox"/>	1					
Power over Ethernet (PoE - IEEE802.3af) ( <i>version N or K</i> )	<input type="checkbox"/>	7					
<sup>(3)</sup> Excluding version Low voltage power supply: 12 VDC ( <i>Excluding versions K, N or W</i> )	<input type="checkbox"/>	2					
<sup>(3)</sup> Low voltage power supply: 24 VDC ( <i>Excluding versions K, N or W</i> )	<input type="checkbox"/>	4					
<sup>(3)</sup> Low voltage power supply: 48 VDC ( <i>Excluding versions K, N or W</i> )	<input type="checkbox"/>	6					

	OPTIONS						
<sup>(5)</sup> Timer function via web interface ( <i>versions K, N or W</i> )	<input type="checkbox"/>	F					
<sup>(3)</sup> Touchscreen stopwatch casing, removable, built-in, counting/down, between axes 122 mm + 4 m of cable	<input type="checkbox"/>	I					
<sup>(6)</sup> Touchscreen stopwatch casing, removable, built-in, counting/down, between axes 122 mm + 4 m of cable	<input type="checkbox"/>	I2					
<sup>(3)</sup> Touchscreen stopwatch casing, removable, built-in, counting/down, between axes 122 mm + 15 m of cable	<input type="checkbox"/>	C					
<sup>(4)</sup> Temperature probe (accuracy ± 0.5°C) + 5 m cable: temperature and hour displayed alternately	<input type="checkbox"/>	T					
<sup>(5)</sup> IP Temperature sensor module ( <i>versions K, N or W</i> )	<input type="checkbox"/>	G					
<sup>(3)</sup> Timer output or stopwatch contact	<input type="checkbox"/>	E					
<sup>(3)</sup> ASCII RS232 output ( <i>not to be combined with ASCII input version</i> )	<input type="checkbox"/>	A					
or:							
<sup>(3)</sup> ASCII RS422-485 output ( <i>not to be combined with ASCII input version</i> )	<input type="checkbox"/>	R					
Tropicalization	<input type="checkbox"/>	U					

<sup>(3)</sup> Option NOT available in NTP versions (N, K: Ethernet or W: Wi-Fi)  
<sup>(4)</sup> Option NOT available in NTP versions (N, K: Ethernet or W: Wi-Fi)  
<sup>(5)</sup> Option for NTP versions (Ethernet or Wi-Fi) only, and compatible with a Temperature Sensor via IP station to be ordered separately, see module 92261  
<sup>(6)</sup> Option available in NTP versions (N: Ethernet or W: Wi-Fi)