

Time setting

The professional LEDI® clocks can display the same time information, synchronized by a master clock or a time server.

On standalone and pulse version, the time setting is manual. Display date and time alternately.

Internal time base

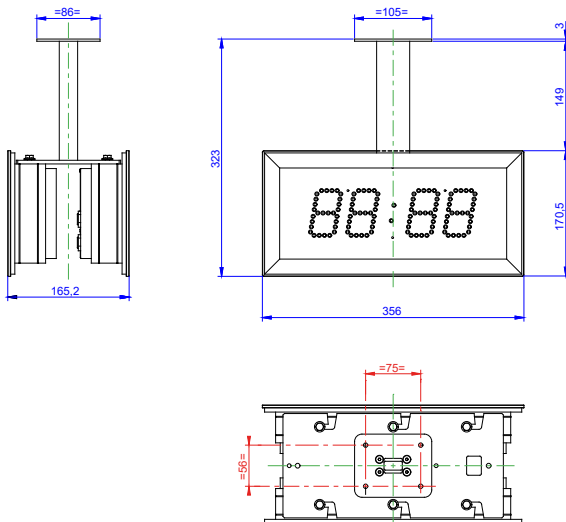
The LEDI® clock has its own temperature compensated TCXO time base which allows an accuracy about **0.1 sec / day** between 0° to 40°C in case of synchronization loss.

Security

Backup of time information in case of mains absence, by lithium battery: 10 years.

Specifications

Power supply	230VAC 50/60Hz 115VAC 50/60Hz Low voltage 12, 24 or 48 VDC
Certifications	CE, EN 62368, EN 55032, EN 55035, ROHS
Maximum consumption	13.76 VA
IP	65 front face / 54 rear face
MTBF	56 225 h
MTTR	Display : 5 min CPU : 5 min Power supply : 5 min
Weight	1.6 kg
Dimensions	356 x171x75 mm (LxHxD)
Digit height	Hour/minutes: 70 mm
Maximal distance of legibility	35 meters
Operating temperature	-20° to 60°C
Hygrometry	95% to 40°C
Electrical equipment classification	⊕ Class 1 (in 115 ou 230 VAC) ⊖ Class 3 (in 12, 24, 48 VDC or PoE)



LEDI® 7 Waterproof

Professional LED clock,
robust and stylish combining the best of the technology
for an easy installation and operation.

Recommended use under cover

Key features

- **Perfectly silent**, direct and accurate reading of time
- **SMD bi-colour LED technology** allows to change the display colour in red, green or yellow
- **The patented technology of the light guide** provides a perfect regularity of the brightness and viewing angle at 160°
- **The front face of the LEDI®** is coated with an antiglare and anti-scratch film giving an extraordinary 60000:1 level of contrast
- **A protection against over-voltage and industrial interference** via EMC filter
- **An easy "plug and play" installation**
- **An anodized aluminium case wall mount or bracket**
- **Securit glass 4mm in front face**
- **Tropicalized**
- **Its participation in the sustainable development**, life span over 20 years
- **2 years warranty**
- **Up to 10 brightness levels for optimal viewing**
- **Remote and batch configuration via the optional "remote configuration" software**
- Selection of colours (independently between wave and numbers) and brightness
- Behaviour of central dots (fixed, blinking...)

NTP Version

Advanced version (option K)

- Synchronisation of up to 4 NTPv4 servers and setting of advanced NTP options (poll rate / burst / preference order)
- Time zone selection and automatic summer/winter time change
- Supervision by SNMP v1, V2c, v3, SYSLOG, Consultation of event logs
- Configurations accessible via http and/or https
- Possibility of changing the display colour according to events (e.g. a loss of synchronisation changes the display colour to red)
- IPv4 / IPv6 protocoles
- 12h or 24h mode
- Stopwatch/timer: advanced options fully configurable and programmable (start time, end time, colour change...), control and configuration via web page, GTCHRONO or SNMP
- Sensor*: Option to manage up to 3 different SNMP sensors (Temperature, Hygrometry, ...)

*Within the limits of the display

Standard Version (option N or W)

- Synchronisation of up to 3 NTP servers
- Time zone selection and automatic summer/winter time change
- Supervision by SNMP v1, v2.c
- Configurations accessible via http and/or https
- IPv4 / IPv6 protocoles
- Stopwatch/timer: simple option (triggering of a count sequence or countdown by button via web page or SNMP)
- Sensor: option to manage an SNMP Temperature or Humidity sensor

Synchronisation Input

- TCXO Quartz Standalone
- DCF77 (EUROPE) with antenna or DCF24V with pair cable
- GPS
- Reverse parallel minute receiver 24V or 1/2 reverse minute series
- AFNOR NFS 87500 or IIRIG B (to specify at purchase order)
- ASCII RS232, ASCII RS422/485
- Standard NTP (Option N) or advanced NTP (Option K) Ethernet 10/100BaseT
- Standard NTP Wi-Fi (IEEE 802.11 a/b/g/n standards 2.4 Ghz)
- SMPTE

LEDI® 7
Waterproof

		ITEM CODE							
		ND360E							
			↑	↑	↑	↑	↑	↑	↑
FACE									
	Simple face	1							
	Double face	2							
VERSION									
	Standalone: radio-synchronisable quartz time base 3.6864 MHz Holdover +/- 0.1 sec/24 h (between 0 and 40°C) <input type="checkbox"/>	2							
	DCF Radiosynchronisation. DCF Antenna + 4m cable <input type="checkbox"/>	D							
	⁽¹⁾ DCF 24Vdc Synchronisation (<i>Synchro in telecom pair cable</i>) <input type="checkbox"/>	P							
	GPS Radiosynchronisation. GPS Antenna + 10m cable <input type="checkbox"/>	G							
	6mA/24V reversed parallel minute pulses receiver clock <input type="checkbox"/>	3							
	⁽²⁾ AFNOR NFS 87500 Receiver <input type="checkbox"/>	8							
	ASCII RS 232 Receiver <input type="checkbox"/>	B							
	ASCII 422/485 Receiver <input type="checkbox"/>	Q							
	ADVANCED NTP Synchronisation (Ethernet RJ45 10/100) <input type="checkbox"/>	K							
	STANDARD NTP Synchronisation (Ethernet RJ45 10/100) <input type="checkbox"/>	N							
	Synchronisation NTP Version STANDARD (Wi-Fi IEEE 802.11 a/b/g/n standard 2,4 Ghz) <input type="checkbox"/>	W							
PROGRAMMABLE LED									
	High brightness LED: Selectable colour, red, yellow, green <input type="checkbox"/>	4							
FRONT FACE									
	Securit glass 4mm – IP65 indoor or outdoor <input type="checkbox"/>					E			
	Polymere (PMMA) – IP65 outdoor only <input type="checkbox"/>					M			
MOUNTING									
	(Simple face) Standard: Wall mounting with bracket <input type="checkbox"/>					1			
	(Simple or double face) Please refer to the brackets technical sheet <input type="checkbox"/>					P			
COULOUR CASING									
	Anodized grey aluminium <input type="checkbox"/>						7		
Power supply									
	Standard: 230VAC 50/60Hz <input type="checkbox"/>							0	
	115VAC 50/60Hz (<i>Excluding version P</i>) <input type="checkbox"/>							1	
	Power over Ethernet (PoE - IEEE802.3af) (<i>version N or K</i>) <input type="checkbox"/>							7	
OPTIONS									
	⁽⁴⁾ Timer function via web interface (<i>versions K, N or W</i>) <input type="checkbox"/>								F
	⁽³⁾ Timer: touch housing control block (<i>flush and wall mount version</i>) + 4 meters of cable - up/down <input type="checkbox"/>								I
	⁽⁶⁾ Timer: touch housing control block (<i>flush and wall mount version</i>) + 4 meters of cable - up/down <input type="checkbox"/>								I2
	⁽³⁾ Timer: touch housing control block (<i>flush and wall mount version</i>) + 15 meters of cable - up/down <input type="checkbox"/>								C
	⁽³⁾ Temperature probe (accuracy ± 0.5°C) + 5 m cable: temperature and hour displayed alternately <input type="checkbox"/>								T
	⁽⁵⁾ IP Temperature sensor module (<i>versions K, N or W</i>) <input type="checkbox"/>								G
	⁽³⁾ Timer output or stopwatch contact <input type="checkbox"/>								E
	⁽³⁾ ASCII RS232 output (<i>not to be combined with ASCII input version</i>) <input type="checkbox"/>								A
	or: <input type="checkbox"/>								R
	⁽³⁾ ASCII RS422-485 output (<i>not to be combined with ASCII input version</i>) <input type="checkbox"/>								

⁽³⁾ Option NOT available in NTP versions (N, K: Ethernet or W: Wi-Fi)

⁽⁴⁾ Option NOT available in NTP versions (N, K: Ethernet or W: Wi-Fi)

⁽⁵⁾ Option for NTP versions (Ethernet or Wi-Fi) only, and compatible with a Temperature Sensor via IP station to be ordered separately, see module 92261

⁽⁶⁾ Option available in NTP versions (N: Ethernet or W: Wi-Fi)