



Time setting

The professional HANDI® clocks can display the same information, by synchronizing through a master clock or a time server. On pulse version, the time setting is manual

Internal time base

HANDI® has its own temperature compensated TCXO time base which allows an accuracy about **0.2 sec / day** between **0° to 40°C** in case of synchronization loss.

Specifications

Power supply (depending on versions)	230VAC or 110-240VAC 12-24VDC PoE (Power over Ethernet - IEEE802.3af)*
Certifications	CE, EN 62368, EN 55032, EN 55035, ROHS
IP	IP65 front face / IP54 rear face
MTBF	85 000 h
MTTR	15 min
Weight	4,9 Kg
Operating temperature	-20°C to +50°C
Dimensions	Diameter : 441 mm Thickness : 163 mm

*Cable length available 0.80m

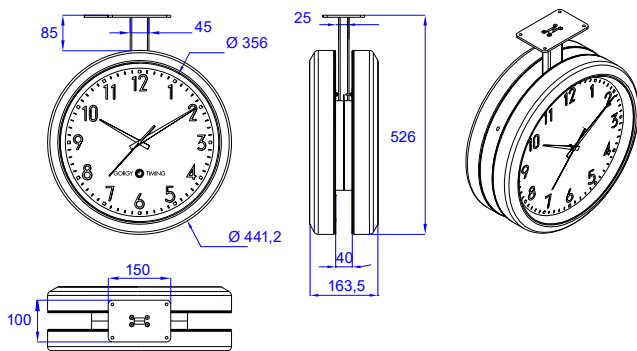
Storage conditions

Conditions	Temperature	Hygrometry	Maximum cumulative duration
Extreme	-20°C to 0°C	10 to 85% HR	48h
Extreme	40°C to 70°C	10 to 85% HR	48h
Normal	10°C to 40°C	10 to 85% HR	6 months

The product must be switched on for 4 hours every 3 months to maintain its characteristics. See user guide for more information

Standard Dial

- Arabic figures screen printed in black
- Black lacquered hands
- Trade mark and logo GORGY TIMING screen printed on the dial



Key features

- Fast but approximate reading of time +/- 0.5 index
- Flat aluminium case
- Acrylic front cover (Polymethyl methacrylate)
- Ceiling mounting with bracket or flag
- Time setting by synchronization source
- LED illumination in option
- Outdoor use (except from saline or chlorinated environment)

Remote management (on NTP version)

- Synchronisation up to 3 NTP servers
- Time zone selection and automatic summer/winter time change
- Supervision by SNMP v1, v2c
- Accessible configurations by HTTP and/or HTTPS
- IPv4 protocol compatibility

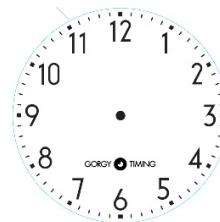
Synchronisation input

- AFNOR NFS 87500/IRIG B126
- NTP/SNTP (v2, v3, v4) - Ethernet 10/100 base T
- NTP Wi-Fi (IEEE 802.11 a/b/g/n standards 2.4 Ghz)
- ASCII: RS 485
- DCF 24VDC (synchro: DCF code + power: 24V in pair telecom cable)
- Pulse version*: parallel reversed minute receiver 24V

*No internal time base

Dial design

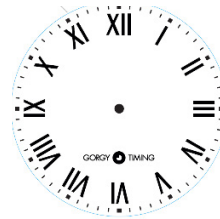
Standard : 0



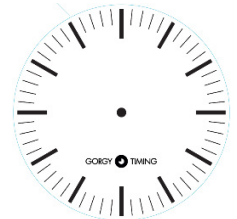
Option : 1



Option : 2



Option : 5



HANDI® 450
DOUBLE FACE WATERPROOF

		ITEM CODE					
		H	7	4	5	0	4
		↑	↑	↑	↑	↑	↑
VERSION							
Minute 24V/6mA slave movement (without second sweep hand) <input type="checkbox"/>		3					
AFNOR NFS 87500 (230 VAC power supply) <input checked="" type="checkbox"/>		9					
AFNOR NFS 87500 (12-24 VDC power supply) <input checked="" type="checkbox"/>		7					
⁽¹⁾ ASCII RS 485* (230VAC power supply) <input checked="" type="checkbox"/>		Q					
NTP Ethernet 10/100BaseT Synchronization (110-240VAC power supply) <input checked="" type="checkbox"/>		N					
NTP Ethernet 10/100BaseT Synchronization (Power Over Ethernet) <input checked="" type="checkbox"/>		P					
NTP Wi-Fi Synchronization (IEEE 802.11 a/b/g/n standards 2.4 Ghz) (110-240VAC power supply) <input checked="" type="checkbox"/>		W					
DCF 24VDC Synchronization (DCF Code + power 24V in pair telecom cable) <input checked="" type="checkbox"/>		B					
MOUNTING							
Anodized grey - Ceiling bracket or flag mounting bracket <input type="checkbox"/>			P				
Specificity (on request)			X				
COLOUR CASING							
Anodized grey aluminium <input type="checkbox"/>			7				
Anodized grey aluminium With illumination LED <input type="checkbox"/>			H				
⁽²⁾ Specific RAL colour (on request)			X				
Dial design							
White dial, arabic figures 1 to 12, small indexes <input type="checkbox"/>					0		
⁽³⁾ Dial following design in data sheet <input type="checkbox"/>							
⁽³⁾ Specific dial (on request)					X		
SWEEP SECONDS HAND OPTION							
Without sweep seconds hand					0		
⁽⁴⁾ Black sweep seconds hand <input type="checkbox"/>					N		
⁽⁴⁾ Red sweep seconds hand <input type="checkbox"/>					G		
OPTION							
⁽⁵⁾ Synchronization loss Led alarm AFNOR in front face <input type="checkbox"/>							A

¹9 600 bauds 8 bits without parity

² Quantity min. 10 units

³ Quantity min. 5 units

⁴ Sweep seconds hand not available in pulse version

⁵ Only for AFNOR NFS 87500 versions (version 7 or 9)