

### Time setting

The professional HANDI® clocks can display the same information, by synchronizing through a master clock or a time server. On pulse version, the time setting is manual.

### Internal time base

HANDI® has its own temperature compensated TCXO time base which allows an accuracy about **0.2 sec / day** between **0° to 40°C** in case of synchronization loss.

### Specifications

<b>Power supply (depending on versions)</b>	230VAC or 110-240VAC 12-24VDC PoE (Power over Ethernet - IEEE802.3af)*
<b>Certifications</b>	CE, EN 62368, EN 55032, EN 55035, ROHS
<b>IP</b>	40 standard
<b>MTBF</b>	85 000 h
<b>MTTR</b>	15 min
<b>Weight</b>	2,2 Kg
<b>Operating temperature</b>	0 to +50°C
<b>Dimensions</b>	Diameter : 305 mm Thickness : 163 mm

\*Cable length available 0.80m

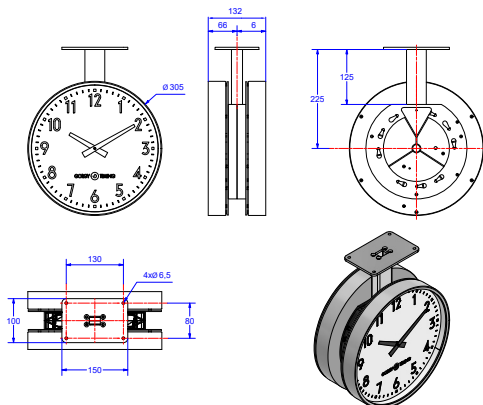
### Storage conditions

Conditions	Temperature	Hygrometry	Maximum cumulative duration
Extreme	-20°C to 0°C	10 to 85% HR	48h
Extreme	40°C to 70°C	10 to 85% HR	48h
Normal	10°C to 40°C	10 to 85% HR	6 months

The product must be switched on for 4 hours every 3 months to maintain its characteristics. See user guide for more information

### Standard Dial

- Arabic figures screen printed in black
- Black lacquered hands
- Trade mark and logo GORGY TIMING screen printed on the dial



## HANDI® 300 DOUBLE FACE

Analog clock HANDI® Double face  
Aluminium case  
Distance of legibility: 20m

### Key features

- Fast but approximate reading of time +/- 0.5 index
- Flat aluminium case
- Acrylic front cover (Polymethyl methacrylate)
- Ceiling mounting with bracket or flag
- Time setting by synchronization source
- For indoor use

### Remote management (on NTP version)

- Synchronisation up to 3 NTP servers
- Time zone selection and automatic summer/winter time change
- Supervision by SNMP v1, v2c
- Accessible configurations by HTTP and/or HTTP(s)
- IPv4 protocol compatibility

### Synchronisation input

- AFNOR NFS 87500/IRIG B126
- NTP/SNTP (v2, v3, v4) - Ethernet 10/100 base T
- NTP Wi-Fi (IEEE 802.11 a/b/g/n standards 2.4 Ghz)
- ASCII: RS 485
- DCF 24VDC (synchro: DCF code + power: 24V in pair telecom cable)
- Pulse version\*: parallel reversed minute receiver 24V

\*No internal time base

### Dial design

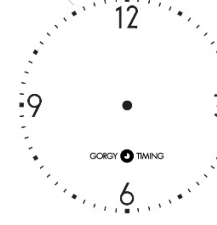
#### Standard : 0



#### Option : 1



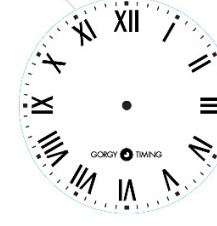
#### Option : 2



#### Option : 3



#### Option : 5



#### Option : 6



**HANDI® 300**  
**DOUBLE FACE**

		ITEM CODE					
		H7423					
		VERSION	↑	↑	↑	↑	↑
Minute 24V/6mA slave movement (without second sweep hand)	<input type="checkbox"/>	3					
AFNOR NFS 87500 (230 VAC power supply)	<input checked="" type="checkbox"/>	9					
AFNOR NFS 87500 (12-24 VDC power supply)	<input checked="" type="checkbox"/>	7					
<sup>(1)</sup> ASCII RS 485* (230VAC power supply)	<input checked="" type="checkbox"/>	Q					
NTP Ethernet 10/100BaseT Synchronization (110-240VAC power supply)	<input checked="" type="checkbox"/>	N					
NTP Ethernet 10/100BaseT Synchronization (Power Over Ethernet)	<input checked="" type="checkbox"/>	P					
NTP Wi-Fi Synchronization (IEEE 802.11 a/b/g/n standards 2.4 Ghz) (110-240VAC power supply)	<input checked="" type="checkbox"/>	W					
DCF 24VDC Synchronization (DCF Code + power 24V in pair telecom cable)	<input checked="" type="checkbox"/>	B					
		<b>MOUNTING</b>					
Anodized grey - Ceiling bracket or flag mounting bracket	<input type="checkbox"/>		P				
Specificity (on request)			X				
		<b>COLOUR CASING</b>					
Anodized grey aluminium	<input type="checkbox"/>			7			
<sup>(2)</sup> Specific RAL colour (on request)				X			
		<b>DIAL DESIGN</b>					
White dial, arabic figures 1 to 12, small indexes	<input type="checkbox"/>				0		
<sup>(3)</sup> Dial following design in data sheet	<input type="checkbox"/>						
<sup>(3)</sup> Specific dial (on request)					X		
		<b>SWEEP SECONDS HAND OPTION</b>					
Without sweep seconds hand						0	
<sup>(4)</sup> Black sweep seconds hand	<input type="checkbox"/>					N	
<sup>(4)</sup> Red sweep seconds hand	<input type="checkbox"/>					G	
		<b>OPTION</b>					
<sup>(5)</sup> Synchronization loss Led alarm AFNOR in front face	<input type="checkbox"/>						A

<sup>1</sup>9600 bauds 8 bits without parity  
<sup>2</sup> Quantity min. 10 units  
<sup>3</sup> Quantity min. 5 units  
<sup>4</sup> Sweep seconds hand not available in pulse version  
<sup>5</sup> Only for AFNOR NFS 87500 versions (version 7 or 9)